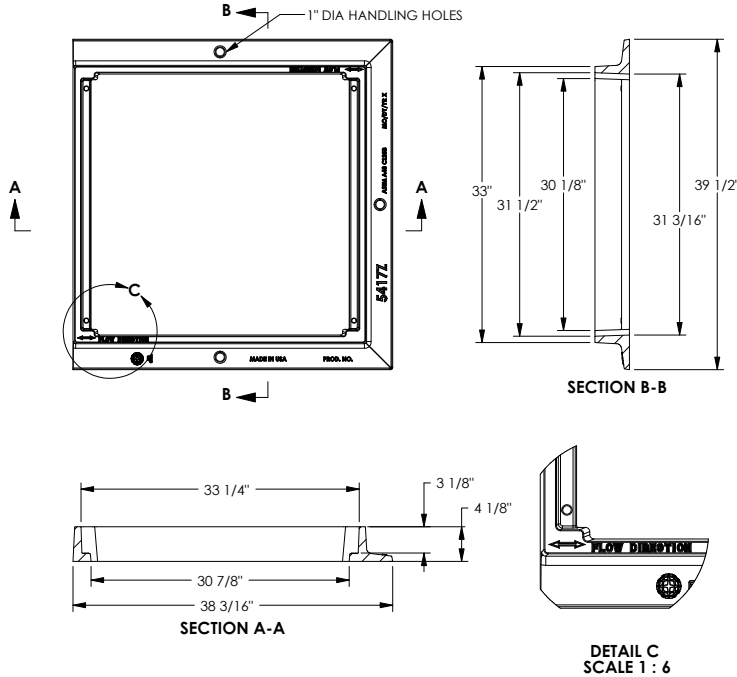


# Marland DOT SHA Type K Full Flange Inlet Frame & Grate with Support Beams Set 378.07



**00541711**  
Quantity: 2

## 5417Z Frame



**Product Number**  
00541711  
**Design Features**  
-Materials  
- Gray Iron (CL35B)  
-Design Load  
- Heavy Duty  
-Open Area  
-n/a  
-Coating  
-Undipped  
-√ Designates Machined Surface

**Certification**  
-ASTM A48  
-  
-Country of Origin: USA

**Drawing Revision**  
6/24/2010 Designer: JJJ  
1/20/2015 Revised By: DAE

**Disclaimer**  
Weights (lbs/kg), dimensions (inches/mm) and drawings provided for your guidance. We reserve the right to modify specifications without prior notice.

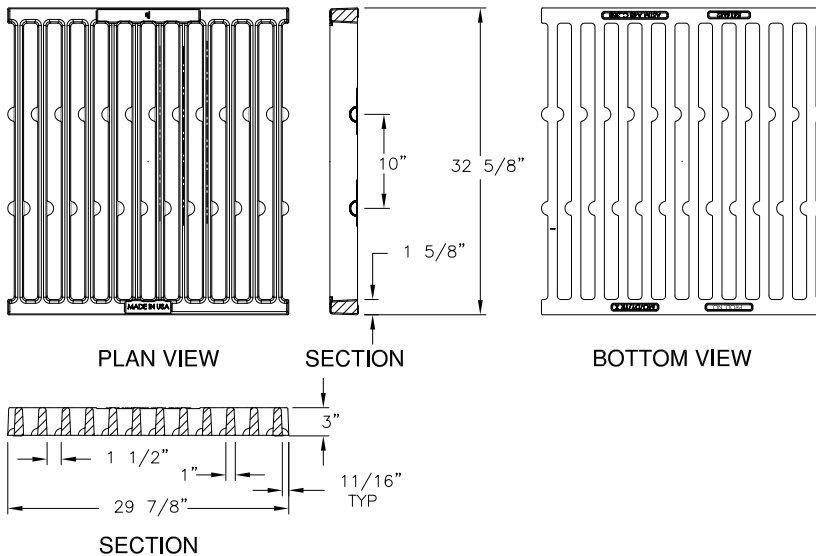
**CONFIDENTIAL:** This drawing is the property of EJ Group, Inc. and embodies confidential information, registered marks, patents, trade secret information, and/or know how that is the property of EJ Group, Inc. Copyright © 2013 EJ Group, Inc. All rights reserved.

**Contact**  
800 626 4653  
ejco.com

## 5416M2 Grate



**00541636**  
Quantity: 2



**Product Number**  
00541636  
**Design Features**  
-Materials  
- Gray Iron (CL35B)  
-Design Load  
- Heavy Duty  
-Open Area  
-520 sq In  
-Coating  
-Undipped  
-√ Designates Machined Surface

**Certification**  
-ASTM A48  
-  
-Country of Origin: USA

**Drawing Revision**  
06/24/2010 Designer: JJJ  
6/30/2014 Revised By: DAE

**Disclaimer**  
Weights (lbs/kg), dimensions (inches/mm) and drawings provided for your guidance. We reserve the right to modify specifications without prior notice.

**CONFIDENTIAL:** This drawing is the property of EJ GROUP, Inc., and embodies confidential information, registered marks, patents, trade secret information, and/or know how that is the property of EJ GROUP, Inc. Copyright © 2012 EJ GROUP, Inc. All rights reserved.

**Contact**  
800 626 4653  
ejco.com

Supplied By:

**TRENCH DRAIN SUPPLY**  
877-903-7246  
www.trenchdrainsupply.com

### Disclaimer

Weight (lbs./kg), dimensions (inches/mm) and drawings provided for your guidance. We reserve the right to modify specifications without prior notices

**CONFIDENTIAL:** This drawing is the property of EJ GROUP, Inc., and embodies confidential information, registered marks, patents, trade secret information, and/or know how that is the property of EJ GROUP, Inc. Copyright © 2015 EJ GROUP, Inc. All rights reserved

**Contact**  
800 626 4653  
ejco.com